



Profit from the Eagle Advantage®

# Specification Sheet

## Short Form Specifications

Eagle Wall Shelf, model \_\_\_\_\_. Constructed of 16 gauge type 430, 16 gauge type 304, or 14 gauge type 304 stainless steel. 1½" roll on front, with 1½" upturn on rear and ends. Stainless steel mounting brackets are stud welded to shelf.

Item No.:	_____
Project No.:	_____
S.I.S. No.:	_____

## Wall Shelves

### MODELS:

- |                                    |                                    |
|------------------------------------|------------------------------------|
| <input type="checkbox"/> WS1024-*  | <input type="checkbox"/> WS1224-*  |
| <input type="checkbox"/> WS1036-*  | <input type="checkbox"/> WS1236-*  |
| <input type="checkbox"/> WS1048-*  | <input type="checkbox"/> WS1248-*  |
| <input type="checkbox"/> WS1060-*  | <input type="checkbox"/> WS1260-*  |
| <input type="checkbox"/> WS1072-*  | <input type="checkbox"/> WS1272-*  |
| <input type="checkbox"/> WS1084-*  | <input type="checkbox"/> WS1284-*  |
| <input type="checkbox"/> WS1096-*  | <input type="checkbox"/> WS1296-*  |
| <input type="checkbox"/> WS10108-* | <input type="checkbox"/> WS12108-* |
| <input type="checkbox"/> WS10120-* | <input type="checkbox"/> WS12120-* |

\* See chart on back page for complete model numbers.



#WS1236-16/3 wall shelf

### Wall Mounted Shelves

- 1½" (38mm) roll on front.
- 1½" (38mm) upturn on rear and ends.
- Die-formed stainless steel mounting brackets are stud-welded to shelf.
- All stainless steel polished to #4 finish.
- Available in 16 gauge type 430, 16 gauge type 304, and 14 gauge type 304 stainless steel.
- Wide selection of sizes.

**EAGLE GROUP**  
 100 Industrial Boulevard, Clayton, DE 19938-8903 USA  
 Phone: 302-653-3000 • Fax: 302-653-2065  
 www.eaglegrp.com

**Foodservice Division: Phone 800-441-8440**  
**MHC/Retail Display Divisions: Phone 800-637-5100**

For custom configuration or fabrication needs, contact our **SpecFAB® Division**.  
 Phone: 302-653-3000 • Fax: 302-653-2065 • e-mail: quotes@eaglegrp.com



**AUTOQUOTES**



EG02.05 Rev. 09/13

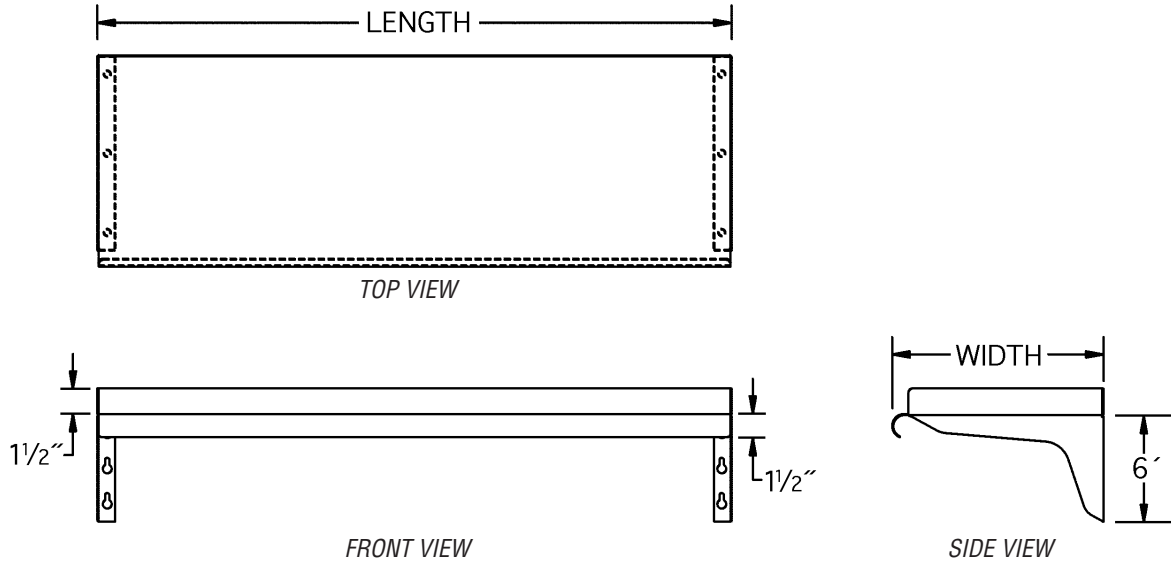
**Spec sheets available for viewing, printing or downloading from our online literature library at [www.eaglegrp.com](http://www.eaglegrp.com)**

Eagle Foodservice Equipment, Eagle MHC, SpecFAB®, and Retail Display are divisions of Eagle Group. ©2013 by the Eagle Group



Item No.: \_\_\_\_\_  
 Project No.: \_\_\_\_\_  
 S.I.S. No.: \_\_\_\_\_

### Wall Mounted Shelves



16 gauge type 430 model #	16 gauge type 304 model #	14 gauge type 304 model #	width*		length		weight	
			in.	mm	in.	mm	lbs.	kg
WS1024-16/4	WS1024-16/3	WS1024-14/3	10"	254	24"	610	10	4.5
WS1036-16/4	WS1036-16/3	WS1036-14/3	10"	254	36"	914	12	5.4
WS1048-16/4	WS1048-16/3	WS1048-14/3	10"	254	48"	1219	15	6.8
WS1060-16/4	WS1060-16/3	WS1060-14/3	10"	254	60"	1524	20	9.0
WS1072-16/4	WS1072-16/3	WS1072-14/3	10"	254	72"	1829	22	10.0
WS1084-16/4	WS1084-16/3	WS1084-14/3	10"	254	84"	2134	24	10.9
WS1096-16/4	WS1096-16/3	WS1096-14/3	10"	254	96"	2438	29	13.2
WS10108-16/4	WS10108-16/3	WS10108-14/3	10"	254	108"	2743	32	14.5
WS10120-16/4	WS10120-16/3	WS10120-14/3	10"	254	120"	3048	34	15.4
WS1224-16/4	WS1224-16/3	WS1224-14/3	12"	305	24"	610	12	5.4
WS1236-16/4	WS1236-16/3	WS1236-14/3	12"	305	36"	914	14	6.4
WS1248-16/4	WS1248-16/3	WS1248-14/3	12"	305	48"	1219	17	7.7
WS1260-16/4	WS1260-16/3	WS1260-14/3	12"	305	60"	1524	23	10.4
WS1272-16/4	WS1272-16/3	WS1272-14/3	12"	305	72"	1829	25	11.3
WS1284-16/4	WS1284-16/3	WS1284-14/3	12"	305	84"	2134	28	12.7
WS1296-16/4	WS1296-16/3	WS1296-14/3	12"	305	96"	2438	31	14.1
WS12108-16/4	WS12108-16/3	WS12108-14/3	12"	305	108"	2743	36	16.3
WS12120-16/4	WS12120-16/3	WS12120-14/3	12"	305	120"	3048	39	17.6

\* 15" and 18" (381 and 457mm)-wide shelves available. To order, replace "12" in model number with a "15" or "18" indicating shelf width. Example: WS1536-16/3

**EAGLE GROUP**  
 100 Industrial Boulevard, Clayton, DE 19938-8903 USA  
 Phone: 302-653-3000 • Fax: 302-653-2065  
 www.eaglegrp.com

Foodservice Division: Phone 800-441-8440  
 MHC/Retail Display Divisions: Phone 800-637-5100

Printed in U.S.A.  
 ©2013 by Eagle Group  
 Rev. 09/13

Spec sheets available for viewing, printing or downloading from our online literature library at [www.eaglegrp.com](http://www.eaglegrp.com)

Although every attempt has been made to ensure the accuracy of the information provided, we cannot be held responsible for typographical or printing errors. Information and specifications are subject to change without notice. Please confirm at time of order.